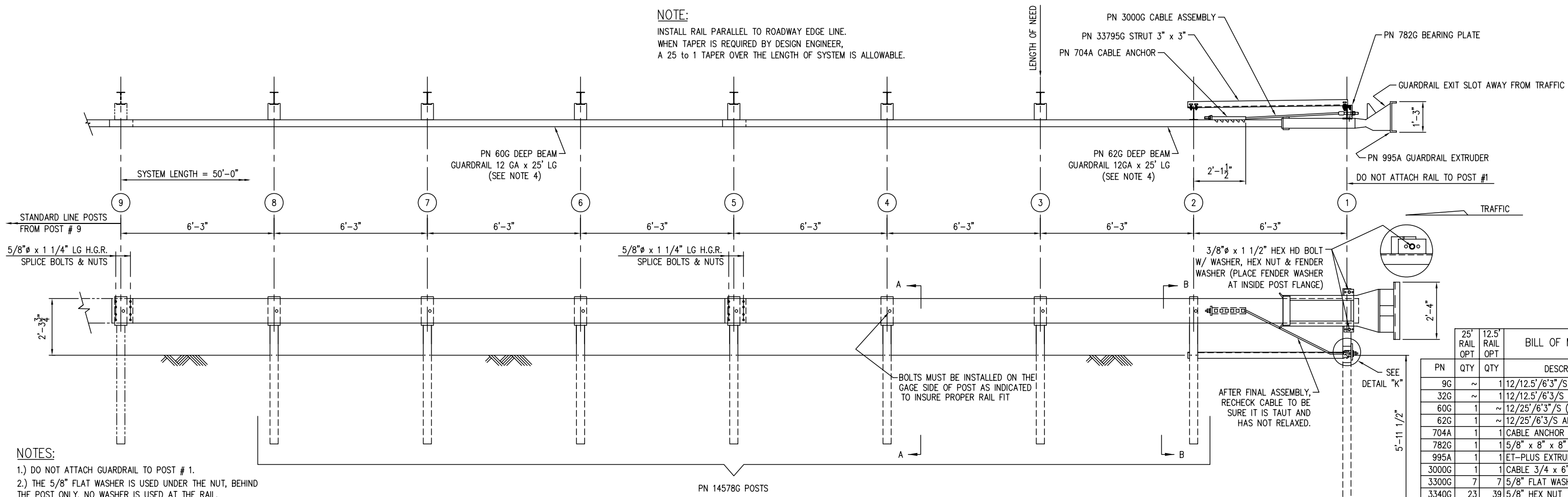


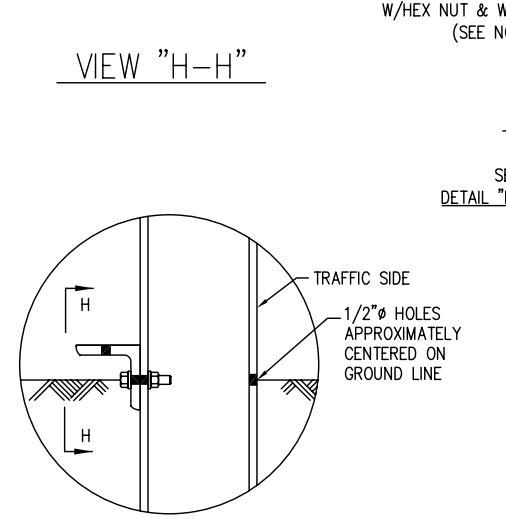
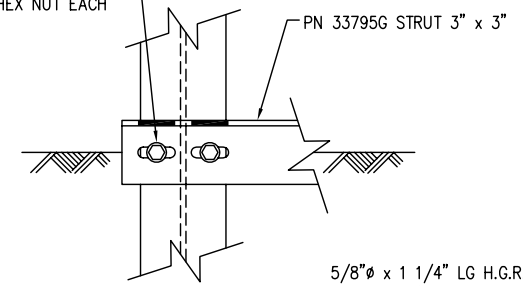
NOTE:
 INSTALL RAIL PARALLEL TO ROADWAY EDGE LINE.
 WHEN TAPER IS REQUIRED BY DESIGN ENGINEER,
 A 25 TO 1 TAPER OVER THE LENGTH OF SYSTEM IS ALLOWABLE.



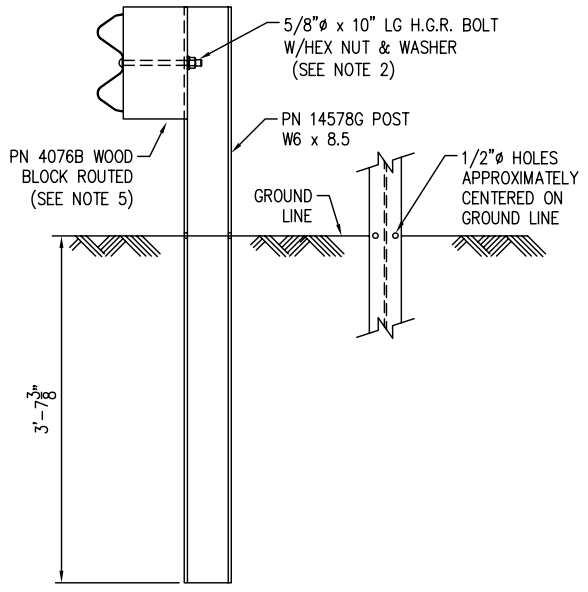
- NOTES:**
- 1.) DO NOT ATTACH GUARDRAIL TO POST # 1.
 - 2.) THE 5/8" FLAT WASHER IS USED UNDER THE NUT, BEHIND THE POST ONLY. NO WASHER IS USED AT THE RAIL.
 - 3.) MANUFACTURER SUGGESTS CUSTOMER TO PROVIDE REFLECTORIZATION OF TERMINAL.
 - 4.) 25' GUARDRAIL PANELS ARE SHOWN, 12.5' GUARDRAIL PANELS ARE ACCEPTABLE ALTERNATES. (SEE BILL OF MATERIAL)
 - 5.) PLASTIC OFFSET BLOCKS (ROUTED) ARE ACCEPTABLE ALTERNATES.

25' RAIL OPT		12.5' RAIL OPT		DESCRIPTION
PN	QTY	PN	QTY	
9G	~	12/12.5'/6'3"/S	~	(GUARDRAIL)
32G	~	12/12.5'/6'3"/S	~	ANC (GUARDRAIL)
60G	1	~	~	12/25'/6'3"/S (GUARDRAIL)
62G	1	~	~	12/25'/6'3"/S ANC (GUARDRAIL)
704A	1	1	1	CABLE ANCHOR BRACKET
782G	1	1	1	5/8" x 8" x 8" BEARING PLATE
995A	1	1	1	ET-PLUS EXTRUDER
3000G	1	1	1	CABLE 3/4 x 6'6
3300G	7	7	7	5/8" FLAT WASHER
3340G	23	39	39	5/8" HEX NUT
3360G	17	33	33	5/8" x 1 1/4" SPLICE BOLT
3500G	6	6	6	5/8" x 10" POST BOLT
3701G	2	2	2	3/4" FLAT WASHER
3704G	2	2	2	3/4" HEX NUT
3717G	2	2	2	3/4" x 2 1/2" HEX HD BOLT
3900G	2	2	2	1" FLAT WASHER
3910G	2	2	2	1" HEX NUT
4076B	6	6	6	WD BLOCK 1'2 x 6 x 8 DR
4254G	4	4	4	3/8" FLAT WASHER
4255G	2	2	2	3/8" FENDER WASHER (1 1/2 OD)
4258G	2	2	2	3/8" LOCKWASHER
4261G	2	2	2	3/8" x 1 1/2" HEX HD BOLT
4389G	2	2	2	7/16" FLAT WASHER
4390G	2	2	2	7/16" x 1 1/2" HEX HD BOLT
4393G	2	2	2	7/16" LOCK WASHER
4396G	2	2	2	7/16" HEX NUT
4699G	2	2	2	3/4" LOCK WASHER
6321G	2	2	2	3/8" x 2" HEX HD BOLT
6405G	4	4	4	3/8" HEX NUT
14578G	7	7	7	POST SYT #2-#8
33795G	1	1	1	ANGLE STRUT (ET/SYTP/HBA)
33871A	1	1	1	POST ET-PLUS HBA #1 TOP
33873A	1	1	1	POST ET-PLUS HBA #1 BOTTOM

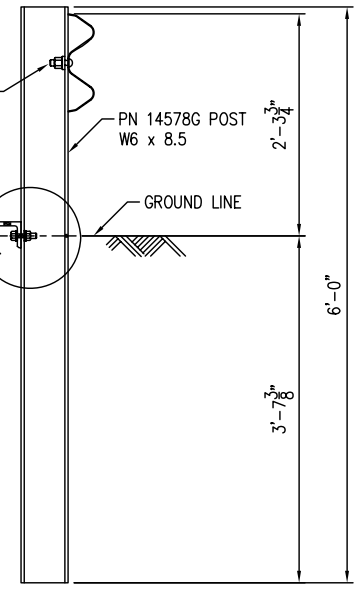
7/16" x 1 1/2" (2) HEX BOLTS
 W/ (1) FLAT WASHER UNDER
 BOLT HEAD OVER SLOT, (1) LOCK
 WASHER & (1) HEX NUT EACH



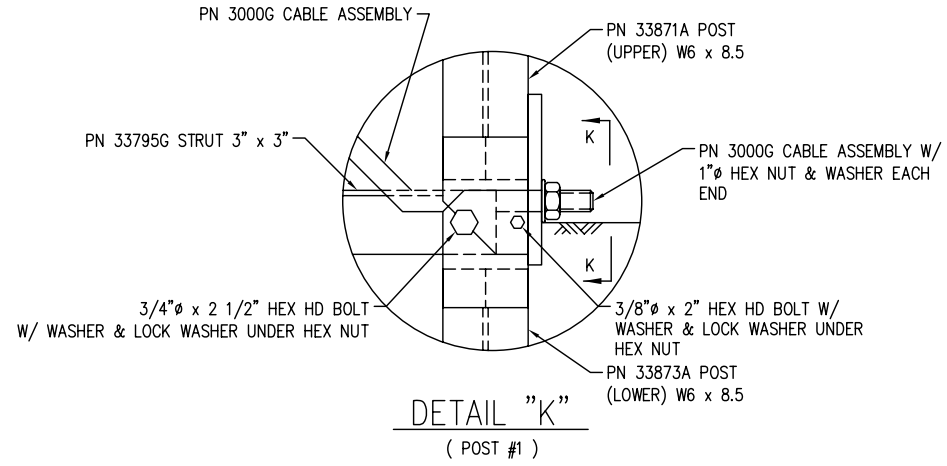
DETAIL "H"
 (POST #2)



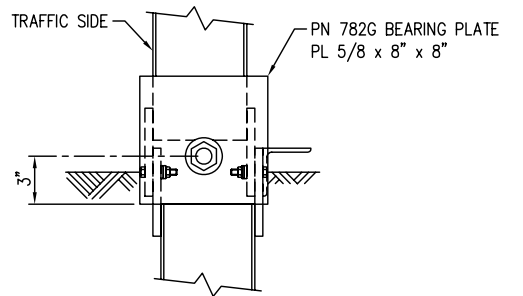
SECTION "A-A"
 (TYP @ POSTS # 3 THRU #8)



SECTION "B-B"
 (POST #2)



DETAIL "K"
 (POST #1)



VIEW "K-K"

This drawing and the information shown thereon is the sole property of TRINITY H.P., LLC. Neither the drawing nor such information is to be used for any purpose other than that for which it was specifically furnished by TRINITY H.P., LLC. nor is any reproduction authorized without written permission.

REV.	CHK'D	BY	DATE	REMARKS

ET-PLUS

ET-PLUS - 50'-0"
 WITH 25' or 12'-6" PANELS, 7 SYT POSTS
 & 1 HBA POST
 PLAN, ELEVATION & SECTION

TRINITY HIGHWAY PRODUCTS, LLC.
 2525 STEMMONS FREEWAY
 DALLAS, TX 75207

DRAWN	BT
CHECKED	SG
SCALE	N.T.S.
DATE	1-20-09
ENG. FILE #	SS3730H-01E
SHT.No.	E1 OF 1
DRAWING NO.	SS-373
REV.	0